

GSM Remote control ELWA.004

Elettro[®]
TERM

with ELWA.004 it's possible to control via cellphone, plants of:

Automation

- remote control of plants
- remote control of gates
- remote access

Conditioning

- remote control of plants
- temperature control
- malfunctioning alarms

House-hold

- remote control of heating of the second home
- open gates
- power on/off remote lights

Heating

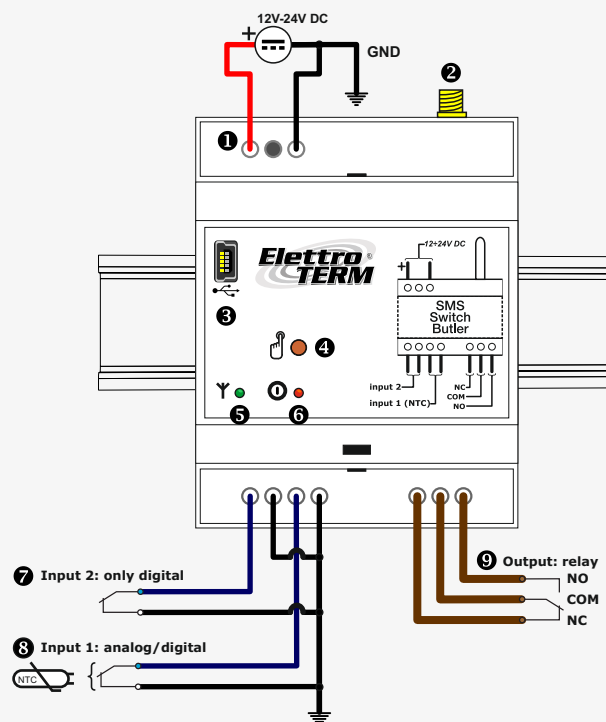
- remote control of plants
- control of pellet stoves
- burner malfunction alarm
- lock-out alarm
- temperature control

Computer

- temperature control
- resetting of server
- resetting of radio and television equipment
- malfunction alarm of UPS

Water lifting station

- tank side:
- remote control of plants
 - temperature control
- pump side:
- heat-triggered alarm
 - lock-out alarm
 - no-water alarm



- 1 Power supply: 12-24V DC – 800mA
- 2 Antenna: GSM SMA dual-band 900-1800MHz
- 3 USB port for programming the device from a PC
- 4 Manual relay output switching button
- 5 Error and/or GSM signal level LED indicator
- 6 Relay status LED indicator: RED=OFF, GREEN=ON
- 7 Digital input 2: voltage-free input
- 8 Analogue/digital input 1: input for NTC or voltage-free sensor
- 9 Output: relay

Description

The GSM remote control ELWA.004 can turn on / off remote equipment such as boilers, air conditioners, heat pumps, pellet stoves, heaters, etc.. through a simple SMS (password protected) or a phone ring no cost, it has a relay output and two free contact alarm inputs, that send an immediate SMS notification to the user's (for example if boiler is blocked). For each alarms it is possible to associate a text of 120 characters per event, and it can be sent up to six users in both opening and closing the contact. To activate via telephone ring, you can instead create a list of users, each with its own specially enabled telephone number

The device is also equipped with an internal temperature sensor (and one outside if enabled) and is able to set two temperature thresholds: Frost and comfort (THERMOSTAT FUNCTION). With simple configuration SMS you can select one of the two sensors to control the thermostat. It is also possible to query, enable, disable and / or adjust any parameter of temperature, either via SMS or through software programming via USB connection.

Technical data

Case for EN-50022, 4 modules
Fire rate: UL94V-0
Operating temperature : -5°C ÷ +45°C
1 relay output (10A ,250Vac)
2 free contact inputs (1 NTC)
SMA antenna connector
USB connector
Cable sections: ϕ 2,5 mm²
Power supply:
Voltage: 12/24VDC (I_{max} : 500mA)
Consumption:
standby: 40mA - send-receive sms: 100mA
GSM:
Dual Band EGSM900/GSM1800

Standards:
- 1995/5/EC
- EN 301 511
- EN 301 489-7
- EN60950-1:2001. 89/336/EEC

Features

- **System protected**
- **Members List Administrators**
- **Temperature sensors**
- **Calibration**
- **Thermostat function**
- **Alarm inputs**
- **Phone RING function**
- **Credit function**

Sales Package

The ELWA.004K2 KIT include:
- ELWA.004
- Antenna stilo
- Manual
- NTC Probe
- USB cable
- Software